

## Модель РКУ34

Усиленные резьбовые опоры с круглым пластиковым основанием, внутри которого металлическая шайба. Основание диаметром 34 мм. Возможность регулировки ключом.

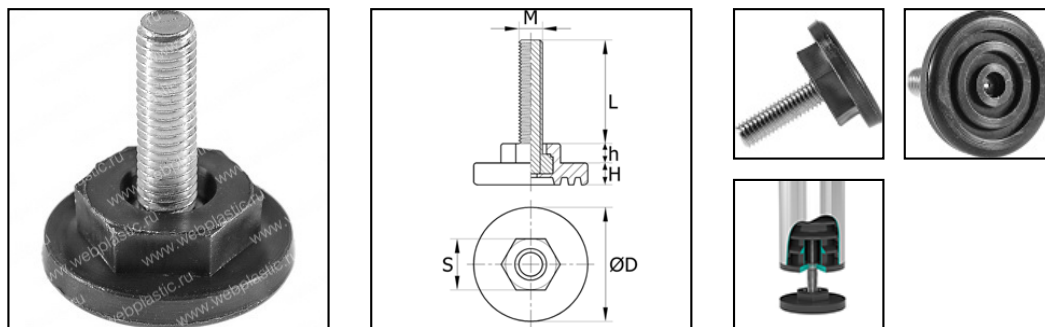


Таблица стоимости и размеров

Артикул	Размеры, мм				Цена, руб. за 1 шт при заказе от					Кол-во в Уп., шт	Наличие, шт
	MxL ØD	S	H	h	100	500	1000	5000	10000		
34M8-15ЧН	<b>M8x15 D34</b>	22	5	7.5	21.9	18.4	16.1	12.1	10.9	500	0
34M8-20ЧН	<b>M8x20 D34</b>	22	5	7.5	22.4	19.0	16.7	12.7	11.5	500	1892
34M8-25ЧН	<b>M8x25 D34</b>	22	5	7.5	21.0	17.9	15.8	12.1	11.0	500	0
34M8-30ЧН	<b>M8x30 D34</b>	22	5	7.5	21.5	18.4	16.3	12.6	11.6	500	0
34M8-35ЧН	<b>M8x35 D34</b>	22	5	7.5	24.2	20.7	18.4	14.4	13.2	500	0
34M8-40ЧН	<b>M8x40 D34</b>	22	5	7.5	22.6	19.4	17.3	13.7	12.6	500	0
34M8-45ЧН	<b>M8x45 D34</b>	22	5	7.5	25.3	21.9	19.6	15.5	14.4	500	0
34M8-50ЧН	<b>M8x50 D34</b>	22	5	7.5	27.0	23.6	21.3	17.3	16.1	500	0
34M8-55ЧН	<b>M8x55 D34</b>	22	5	7.5	28.2	24.7	22.4	18.4	17.3	500	0
34M8-60ЧН	<b>M8x60 D34</b>	22	5	7.5	29.9	26.5	24.2	20.1	19.0	500	0
34M8-65ЧН	<b>M8x65 D34</b>	22	5	7.5	31.1	27.6	25.3	21.3	20.1	500	0
34M8-70ЧН	<b>M8x70 D34</b>	22	5	7.5	32.8	29.3	27.0	23.0	21.9	500	0
34M8-75ЧН	<b>M8x75 D34</b>	22	5	7.5	33.9	30.5	28.2	24.2	23.0	500	0
34M8-80ЧН	<b>M8x80 D34</b>	22	5	7.5	35.7	32.2	29.9	25.9	24.7	500	0
34M8-85ЧН	<b>M8x85 D34</b>	22	5	7.5	36.8	33.3	31.1	27.0	25.9	500	0
34M8-90ЧН	<b>M8x90 D34</b>	22	5	7.5	38.5	35.1	32.8	28.8	27.6	500	0
34M8-95ЧН	<b>M8x95 D34</b>	22	5	7.5	39.7	36.2	33.9	29.9	28.8	500	0
34M8-100ЧН	<b>M8x100 D34</b>	22	5	7.5	41.4	38.0	35.7	31.6	30.5	500	0
34M8-110ЧН	<b>M8x110 D34</b>	22	5	7.5	42.6	39.1	36.8	32.8	31.6	500	0
34M8-120ЧН	<b>M8x120 D34</b>	22	5	7.5	44.3	40.8	38.5	34.5	33.4	500	0
34M10-15ЧН	<b>M10x15 D34</b>	22	5	7.5	23.0	19.6	17.3	13.2	12.1	500	0
34M10-20ЧН	<b>M10x20 D34</b>	22	5	7.5	23.6	20.1	17.8	13.8	12.7	500	0
34M10-25ЧН	<b>M10x25 D34</b>	22	5	7.5	22.1	18.9	16.8	13.1	12.1	500	0
34M10-30ЧН	<b>M10x30 D34</b>	22	5	7.5	22.6	19.4	17.3	13.7	12.6	500	0
34M10-35ЧН	<b>M10x35 D34</b>	22	5	7.5	25.3	21.9	19.6	15.5	14.4	500	0
34M10-40ЧН	<b>M10x40 D34</b>	22	5	7.5	23.6	20.5	18.4	14.7	13.7	750	15205
34M10-45ЧН	<b>M10x45 D34</b>	22	5	7.5	26.5	23.0	20.7	16.7	15.5	500	0
34M10-50ЧН	<b>M10x50 D34</b>	22	5	7.5	28.2	24.7	22.4	18.4	17.3	500	0
34M10-55ЧН	<b>M10x55 D34</b>	22	5	7.5	29.3	25.9	23.6	19.6	18.4	500	0
34M10-60ЧН	<b>M10x60 D34</b>	22	5	7.5	31.1	27.6	25.3	21.3	20.1	500	0
34M10-65ЧН	<b>M10x65 D34</b>	22	5	7.5	32.2	28.8	26.5	22.4	21.3	500	0
34M10-70ЧН	<b>M10x70 D34</b>	22	5	7.5	33.9	30.5	28.2	24.2	23.0	500	0
34M10-75ЧН	<b>M10x75 D34</b>	22	5	7.5	35.1	31.6	29.3	25.3	24.2	500	0
34M10-80ЧН	<b>M10x80 D34</b>	22	5	7.5	36.8	33.3	31.1	27.0	25.9	500	0

34M10-85ЧН	<b>M10x85 D34</b>	22	5	7.5	38.0	34.5	32.2	28.2	27.0	500	0
34M10-90ЧН	<b>M10x90 D34</b>	22	5	7.5	39.7	36.2	33.9	29.9	28.8	500	0
34M10-95ЧН	<b>M10x95 D34</b>	22	5	7.5	40.8	37.4	35.1	31.1	29.9	500	0
34M10-100ЧН	<b>M10x100 D34</b>	22	5	7.5	42.6	39.1	36.8	32.8	31.6	500	0
34M10-110ЧН	<b>M10x110 D34</b>	22	5	7.5	43.7	40.3	38.0	33.9	32.8	500	0
34M10-120ЧН	<b>M10x120 D34</b>	22	5	7.5	45.4	42.0	39.7	35.7	34.5	500	0