

## Модель EV32

Резьбовые регулируемые опоры с круглым основанием диаметром 32 мм и металлическим резьбовым стержнем М6, М8, М10 или М12. Высота стержня от 15 до 120 мм. Рифленое основание позволяет легче вкручивать опору.

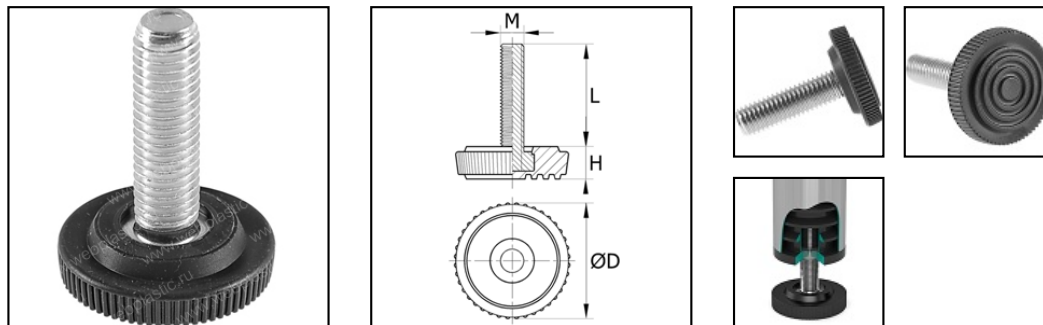


Таблица стоимости и размеров

Артикул	Размеры, мм		Цена, руб. за 1 шт при заказе от					Кол-во в уп., шт	Наличие, шт
	МxL ØD	H	100	500	1000	5000	10000		
32M6-15ЧН	M6x15 D32	10	16.5	12.7	10.8	9.5	8.8	500	8
32M6-18ЧН	M6x18 D32	10	14.9	11.6	9.9	8.8	8.3	1000	258
32M6-20ЧН	M6x20 D32	10	15.6	12.1	10.5	9.2	8.7	500	0
32M6-25ЧН	M6x25 D32	10	15.6	12.8	11.0	9.8	9.2	1100	3148
32M6-30ЧН	M6x30 D32	10	15.6	12.8	11.0	9.8	9.2	1100	0
32M6-35ЧН	M6x35 D32	10	17.7	14.5	12.7	11.4	10.8	1100	6
32M6-40ЧН	M6x40 D32	10	18.4	15.2	13.3	12.0	11.4	500	0
32M6-45ЧН	M6x45 D32	10	20.2	17.1	15.2	14.0	13.3	500	0
32M6-50ЧН	M6x50 D32	10	21.6	18.4	16.5	15.2	14.5	500	0
32M6-55ЧН	M6x55 D32	10	23.4	20.2	18.4	17.1	16.5	500	0
32M6-60ЧН	M6x60 D32	10	24.6	21.6	19.6	18.4	17.7	800	244
32M6-65ЧН	M6x65 D32	10	26.6	23.4	21.6	20.2	19.6	500	0
32M6-70ЧН	M6x70 D32	10	27.8	24.6	22.8	21.6	20.9	500	0
32M6-75ЧН	M6x75 D32	10	29.7	26.6	24.6	23.4	22.8	500	0
32M6-80ЧН	M6x80 D32	10	31.0	27.8	26.0	24.6	24.1	500	0
32M6-85ЧН	M6x85 D32	10	32.9	29.7	27.8	26.6	26.0	500	0
32M6-90ЧН	M6x90 D32	10	34.2	31.0	29.2	27.8	27.2	500	0
32M6-95ЧН	M6x95 D32	10	36.1	32.9	31.0	29.7	29.2	500	0
32M6-100ЧН	M6x100 D32	10	37.3	34.2	32.2	31.0	30.4	500	0
32M6-110ЧН	M6x110 D32	10	39.3	36.1	34.2	32.9	32.2	500	0
32M6-120ЧН	M6x120 D32	10	40.5	37.3	35.4	34.2	33.6	500	0
32M8-15ЧН	M8x15 D32	10	12.7	8.5	7.4	6.3	5.2	500	483
32M8-20ЧН	M8x20 D32	10	13.1	8.8	7.6	6.5	5.4	500	0
32M8-25ЧН	M8x25 D32	10	9.0	7.0	6.5	6.0	5.5	1100	128306
32M8-30ЧН	M8x30 D32	10	13.5	9.0	7.8	6.7	5.6	1000	19529
32M8-35ЧН	M8x35 D32	10	13.9	9.2	8.0	6.9	5.7	1000	51178
32M8-40ЧН	M8x40 D32	10	14.2	9.5	8.2	7.0	5.9	900	39303
32M8-45ЧН	M8x45 D32	10	16.1	10.7	9.3	8.0	6.6	500	7
32M8-50ЧН	M8x50 D32	10	17.2	11.5	10.0	8.5	7.1	800	1110
32M8-55ЧН	M8x55 D32	10	24.1	20.9	19.0	17.7	17.1	500	0
32M8-60ЧН	M8x60 D32	10	25.3	22.1	20.2	19.0	18.4	600	49
32M8-65ЧН	M8x65 D32	10	19.2	12.8	11.2	9.5	7.9	500	0
32M8-70ЧН	M8x70 D32	10	19.6	13.1	11.4	9.7	8.1	500	4645
32M8-75ЧН	M8x75 D32	10	23.3	15.5	13.5	11.5	9.6	500	1894

32M8-80ЧН	<b>M8x80 D32</b>	10	31.7	28.5	26.6	25.3	24.6	500	0
32M8-85ЧН	<b>M8x85 D32</b>	10	33.6	30.4	28.5	27.2	26.6	500	0
32M8-90ЧН	<b>M8x90 D32</b>	10	25.7	17.1	14.9	12.7	10.6	500	17372
32M8-95ЧН	<b>M8x95 D32</b>	10	33.3	30.5	28.8	27.6	27.0	500	0
32M8-100ЧН	<b>M8x100 D32</b>	10	38.0	34.8	32.9	31.7	31.0	500	0
32M8-110ЧН	<b>M8x110 D32</b>	10	39.8	36.6	34.8	33.6	32.9	500	0
32M8-120ЧН	<b>M8x120 D32</b>	10	41.1	38.0	36.1	34.8	34.2	500	0
32M10-15ЧН	<b>M10x15 D32</b>	10	17.7	15.2	12.7	11.4	10.1	500	0
32M10-20ЧН	<b>M10x20 D32</b>	10	15.7	10.5	9.1	7.8	6.5	1000	1400
32M10-25ЧН	<b>M10x25 D32</b>	10	17.1	11.4	9.9	8.5	7.1	1000	24061
32M10-30ЧН	<b>M10x30 D32</b>	10	10.0	8.0	7.5	7.0	6.4	1000	148394
32ТшM10-30ЧН	<b>M10x30 D32</b>	6	10.3	9.0	8.5	7.5	6.4	0	81
32M10-35ЧН	<b>M10x35 D32</b>	10	17.9	11.9	10.4	8.9	7.4	900	49927
32ТшM10-35ЧН	<b>M10x35 D32</b>	6	18.3	15.4	13.4	12.1	11.5	0	0
32M10-40ЧН	<b>M10x40 D32</b>	10	21.7	14.5	12.6	10.8	9.0	750	6920
32M10-45ЧН	<b>M10x45 D32</b>	10	22.4	15.0	13.0	11.1	9.3	500	0
32M10-50ЧН	<b>M10x50 D32</b>	10	23.1	15.4	13.4	11.4	9.5	600	1931
32M10-55ЧН	<b>M10x55 D32</b>	10	24.6	21.6	19.6	18.4	17.7	500	0
32M10-60ЧН	<b>M10x60 D32</b>	10	26.6	23.4	21.6	20.2	19.6	500	0
32M10-65ЧН	<b>M10x65 D32</b>	10	27.8	24.6	22.8	21.6	20.9	500	0
32M10-70ЧН	<b>M10x70 D32</b>	10	29.9	19.9	17.3	14.8	12.3	500	1537
32M10-75ЧН	<b>M10x75 D32</b>	10	31.0	27.8	26.0	24.6	24.1	500	0
32M10-80ЧН	<b>M10x80 D32</b>	10	31.2	20.8	18.1	15.5	12.9	400	2530
32M10-85ЧН	<b>M10x85 D32</b>	10	34.2	31.0	29.2	27.8	27.2	500	0
32M10-90ЧН	<b>M10x90 D32</b>	10	36.1	32.9	31.0	29.7	29.2	400	0
32M10-95ЧН	<b>M10x95 D32</b>	11	37.3	34.2	32.2	31.0	30.4	500	0
32M10-100ЧН	<b>M10x100 D32</b>	11	39.3	36.1	34.2	32.9	32.2	500	4
32M10-110ЧН	<b>M10x110 D32</b>	11	40.5	37.3	35.4	34.2	33.6	500	0
32M10-120ЧН	<b>M10x120 D32</b>	11	38.5	25.7	22.3	19.1	15.9	500	806