

## Модель ССR

Заглушки пластиковые внутренние с тонкой шляпкой для труб круглого сечения.

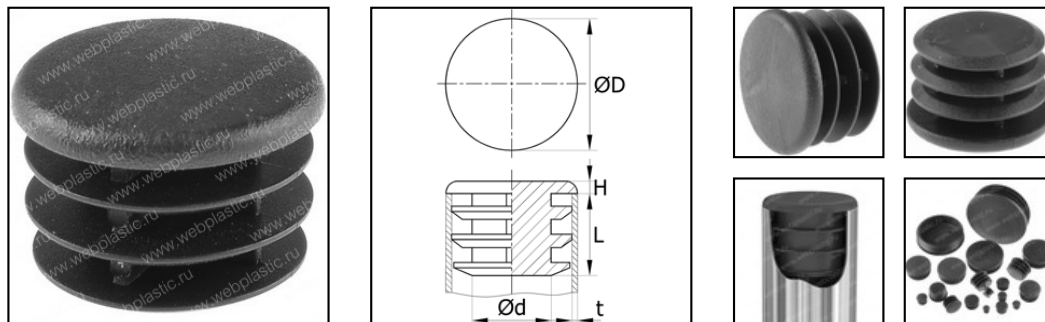


Таблица стоимости и размеров

| Артикул   | Размеры, мм |      |     |         |      |      | Цена, руб. за 1 шт при заказе от |      |      |      |       | Кол-во в уп., шт | Наличие, шт |
|-----------|-------------|------|-----|---------|------|------|----------------------------------|------|------|------|-------|------------------|-------------|
|           | ØD          | L    | H   | t       | Ød   | Ød1  | 100                              | 500  | 1000 | 5000 | 10000 |                  |             |
| 110211102 | Ø10         | 8    | 2   | 0.8-2.0 | 6    |      | 2.6                              | 1.8  | 1.5  | 1.2  | 1.1   | 30000            | 0           |
| 110211202 | Ø12         | 8.5  | 2.5 | 1.0-2.0 | 6.5  |      | 4.0                              | 3.2  | 1.8  | 1.5  | 1.3   | 20000            | 7346        |
| 110211302 | Ø14         | 9    | 3   | 0.8-2.0 | 9    |      | 2.8                              | 1.9  | 1.4  | 1.1  | 1.0   | 10000            | 93          |
| 110211402 | Ø15         | 9.5  | 3   | 1.0     | 10   |      | 2.7                              | 2.1  | 1.6  | 1.4  | 1.2   | 10000            | 0           |
| 110211502 | Ø16         | 9.5  | 3   | 1.0     | 10   |      | 3.2                              | 2.5  | 1.7  | 1.5  | 1.3   | 10000            | 0           |
| 110211602 | Ø18         | 9    | 3   | 1.2     | 11   |      | 4.0                              | 3.0  | 2.3  | 2.0  | 1.7   | 10000            | 0           |
| 110211702 | Ø20         | 9.5  | 4   | 1,2     | 12   |      | 4.5                              | 3.4  | 2.6  | 2.3  | 1.9   | 5000             | 0           |
| 110210602 | Ø22         | 10   | 4   | 1.0     | 14   |      | 6.2                              | 4.7  | 3.6  | 3.1  | 2.6   | 7500             | 0           |
| 110210702 | Ø25         | 13   | 4   |         |      |      | 7.4                              | 5.6  | 4.3  | 3.7  | 3.2   | 4000             | 0           |
| 110210802 | Ø28         | 15   | 5   |         |      |      | 9.3                              | 7.0  | 5.3  | 4.6  | 3.9   | 3000             | 0           |
| 110210902 | Ø30         | 16.5 | 5   | 1.0-3.5 | 20   |      | 5.2                              | 4.4  | 2.9  | 2.5  | 2.2   | 3000             | 78931       |
| 110209002 | Ø32         | 16   | 4   | 1.5-4.5 | 19.5 |      | 10.1                             | 7.8  | 5.6  | 4.5  | 3.8   | 2500             | 0           |
| 110209102 | Ø35         | 17.5 | 3.5 | 1.5-3.5 | 27   |      | 15.8                             | 11.8 | 9.1  | 7.9  | 6.7   | 2000             | 0           |
| 110209202 | Ø40         | 16.5 | 3   | 1.5-3.5 | 31   | 26.2 | 17.8                             | 13.3 | 10.2 | 8.9  | 7.6   | 1500             | 0           |
| 110209302 | Ø45         | 16   | 3   | 1.5-3.0 | 35.5 | 31.2 | 21.8                             | 16.3 | 12.5 | 10.9 | 9.3   | 1000             | 0           |
| 110209402 | Ø50         | 16.5 | 3.3 | 1.5-3.5 | 41   | 36.5 | 14.4                             | 10.7 | 8.9  | 7.8  | 6.8   | 1000             | 0           |
| 110209502 | Ø60         | 16   | 5   | 1.5     | 50   | 44.5 | 13.0                             | 9.8  | 8.2  | 7.4  | 6.5   | 750              | 0           |
| 110209702 | Ø80         | 16.5 | 6   | 1.5-3.0 | 70.5 | 65   | 44.6                             | 37.7 | 29.7 | 27.2 | 24.4  | 400              | 173         |
| 110208402 | Ø90         | 17   | 6   |         |      |      | 84.2                             | 63.9 | 52.2 | 45.1 | 38.8  | 0                | 0           |
| 110208502 | Ø100        | 29   | 6   |         |      |      | 97.2                             | 78.6 | 67.9 | 60.7 | 57.2  | 100              | 0           |

### Используемый материал

Полиэтилен (ПЭ, PE).